

**Operating instructions  
for  
Capacitive Level Monitor**

**NCW**

## 1. Content

---

1. Content .....	2
2. Note .....	3
3. Instruments Inspection .....	3
4. Description .....	3
5. Regulation Use.....	3
6. Operating principle .....	4
7. Mechanical connection.....	4
8. Electrical connection .....	5
9. Adjustment .....	6
9.1 Module replacement .....	8
10. Models .....	9
11. Technical Data .....	10
12. EU Declaration of conformance .....	11
13. Notes.....	12

### Manufactured by:

Kobold Mesura S.L.U  
Avda Conflent N°68 Nave 15  
08915 Badalona  
Tel.: +34 93 460 38 83  
Fax: +34 93 460 38 76  
E-Mail: info.es@kobold.com  
Internet: www.kobold.com

Edition: May 2017

## 2. Note

---

Please read these operating instructions before unpacking and putting the unit in operation. Follow the instructions precisely as described herein.

The devices are only to be used, maintained and serviced by persons familiar with these operating instructions and in accordance with local regulations applying to Health & Safety and prevention of accidents.

## 3. Instruments Inspection

---

Instruments are inspected before shipping and sent out in perfect condition.

### Scope of delivery

The standard delivery includes:

- Capacitive Level Monitor NCW
- Cable gland M20
- Operating Instructions

## 4. Description

---

All NCW level switch instruments can be used in any application where one level of liquid in a tank or a silo must be detected

## 5. Regulation Use

---

The capacitive Level Monitor is indicated to punctual level detection in tanks containing liquids.

There are 4 basic models:

**NCW-N:** Rigid probe in PTFE, for general applications in metallic tanks.

**NCW-T:** Rigid probe in PTFE with stainless steel tube (ground tube). For products with a low dielectrical constant and non metallic tanks.

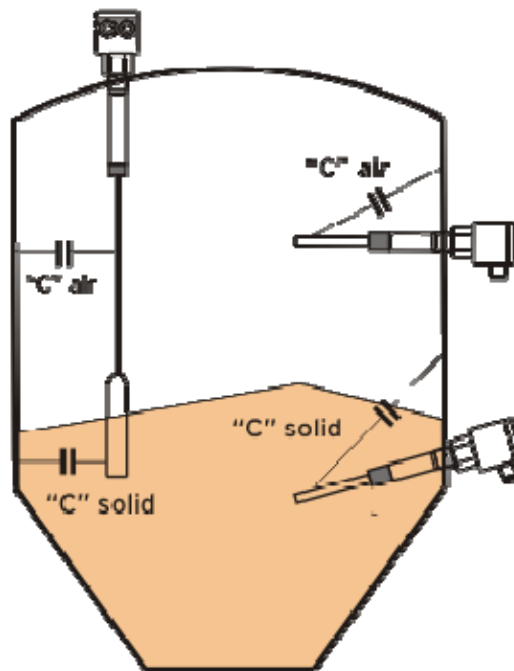
**NCW-H:** Rigid probe in PTFE with special thread made of stainless steel for high Temperatures (125°C)

**NCW-S:** Double rigid probe in PVDF for NON METALLIC tanks containing aggressive liquids that attack stainless steel.

## 6. Operating principle

---

The NCW sensor together with the wall of the tank is a capacitor. The dielectric constant of this capacitor is the air when the product (media) doesn't reach the sensor. When the product covers the sensor, the dielectric constant is the product one. The electronic circuit of the NCW detects this change and activates an output relay.



## 7. Mechanical connection

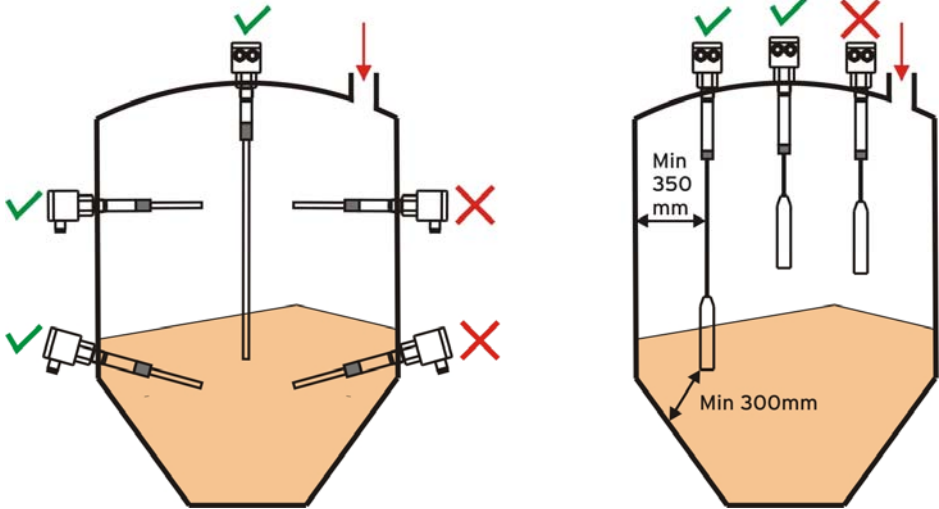
---

### Before installation:

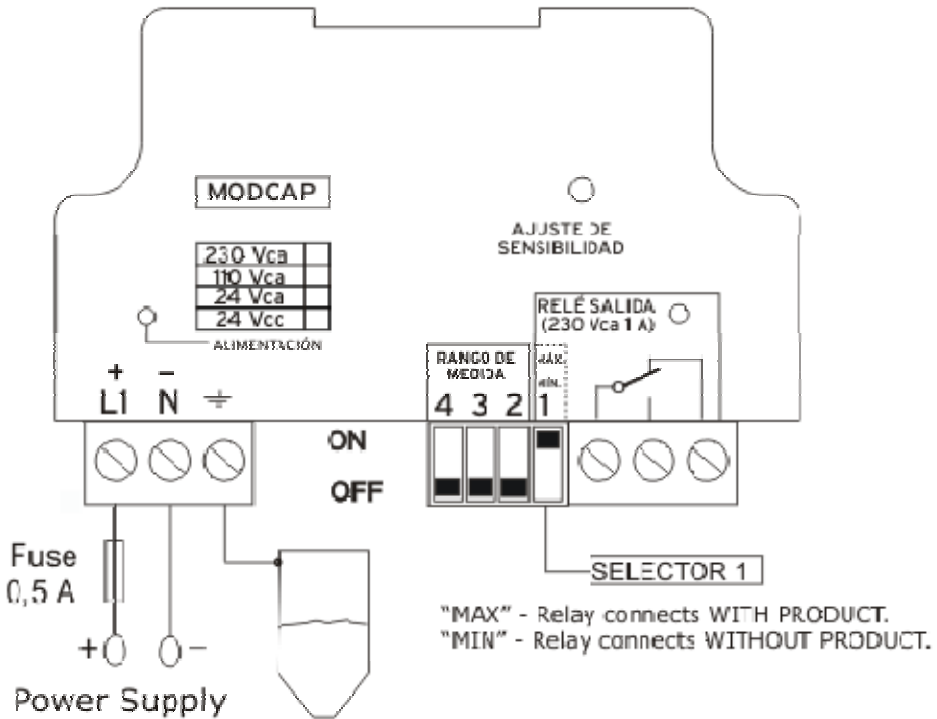
- Remove all packing materials and transport retainers and ensure that no such materials remain in the device.
- Make sure that the permitted max. operational pressure and temperature limits are not exceeded (see Technical Information)
- Protect the measuring sensor from external damage.
- The units may not be installed at a location within an inductive field.
- If possible, check directly after mechanical installation whether the connection thread to the pipe is fully sealed.

### Installation:

The NCW is installed using a 1" BSP, (2" BSP Thread in NCW-S version)  
Check if probe's length is correct to detect the level. At the end of the probe there is a stopper to guaranty the electrode waterlight.  
This part (10mm aprox.) is not sensible to the liquid.



### 8. Electrical connection



## VERY IMPORTANT

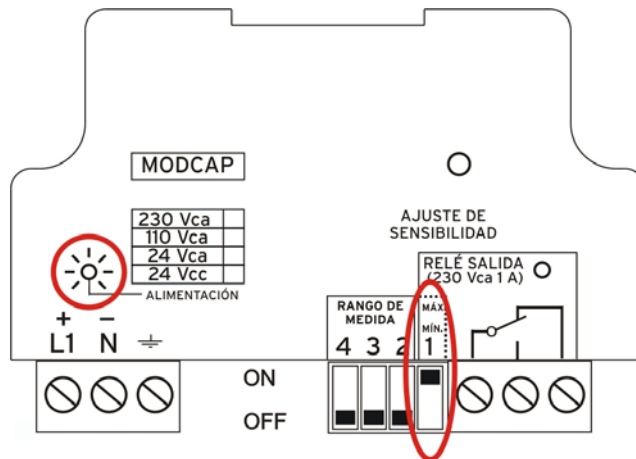
- Be sure that power supply corresponds with the indicated in the equipment's label.
- GREEN led lighting indicates that equipment is powered
- RED led lighting indicates that output relay is activated.
- Using SELECTOR 1, you can choose relay operation NO or NC when the product covers te probe.
- Protection fuse of 0.5mA must be put in serial with supply line.
- Ground terminal is internally tied to the connection thread.
- Be sure that ground line has same potential than ground of tank.
- If you are not sure, please do not connect the ground terminal since the instrument could be damaged.

## 9. Adjustment

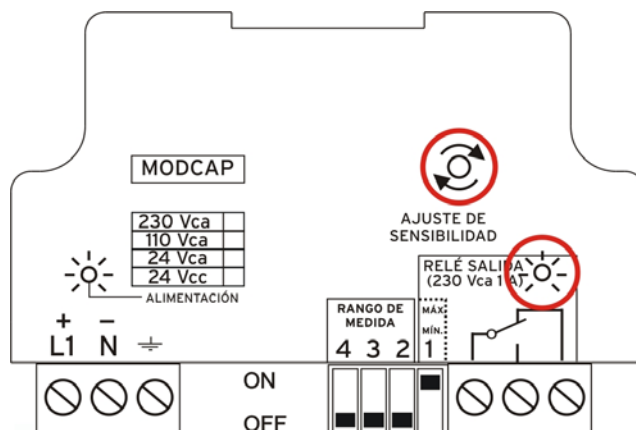
After installation and connection verification, we proceed to AJUST SENSITIVITY to fit the NCW with the tank and the product to measure.

Check that product doesn't reach the probe. Power supply GREEN LED must be ON

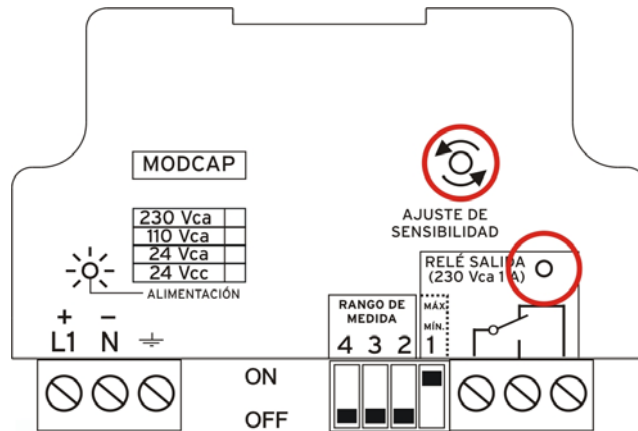
1. Put DIP-SWITCH 1 to "MAX" position.



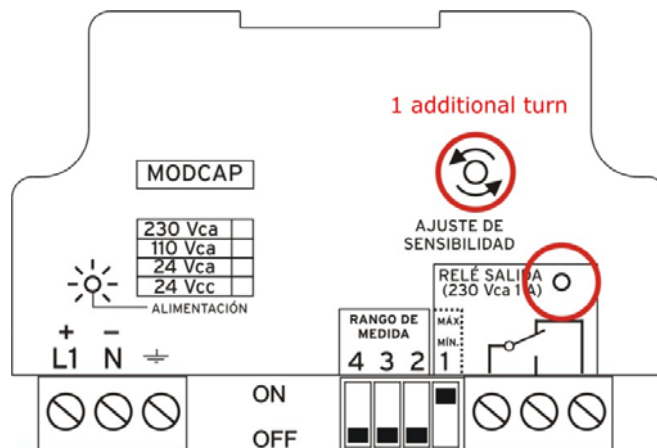
2. Turn the "SENSITIVITY ADJUSTMENT screw" clockwise until RED LED lights.



- Turn slowly the “SENSITIVITY ADJUSTMENT screw” counter clockwise until RED LED switches off.



- Turn 360° more counter clockwise to avoid a critical adjustment. In case of sticky products it is recommended to increase this adjustment.



The instrument is now adjusted. When product will reach the probe relay will be activated and RED LED will light.

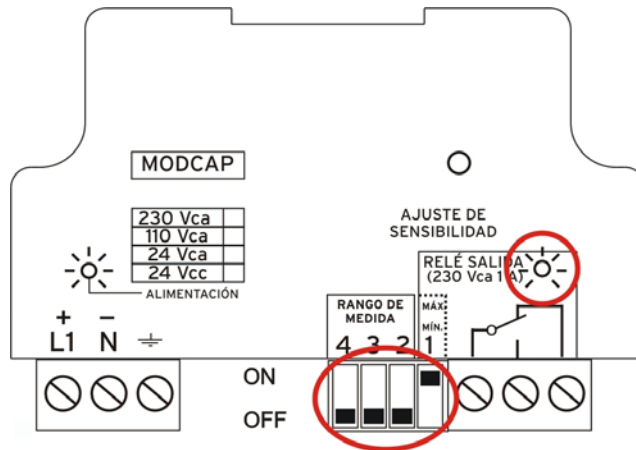
If we want the relay to work the REVERSE, put DIP-SWITCH 1 to “MIN”.

Check that no product remains on the probe when unloading the tank.

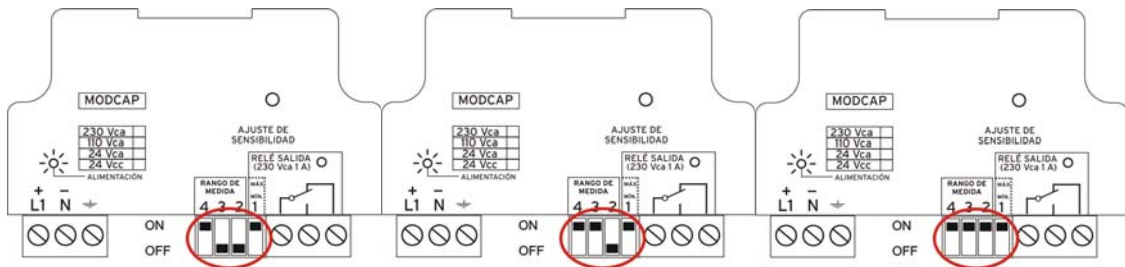
## 9.1 Module replacement

MODCAP modules are delivered with DIP-SWITCHES 2, 3 and 4 adjusted with its own probe. In case of replacement, following procedure must be done with the probe free of product:

1. With DIP-SWITCH 1 to “MAX” and 2, 3 and 4 to “MIN”, turn the multiturn potentiometer totally to clockwise (20 turns). RED LED will switch ON.



2. In case that RED LED doesn't lights, move DIP-SWITCH 4 (drawing 1) to ON. If RED LED still remains OFF, do same with DIP SWITCH 3 (drawing 2) and finally with DIP-SWITCH 2 (drawing 3) until RED LED finally lights.



drawing 1

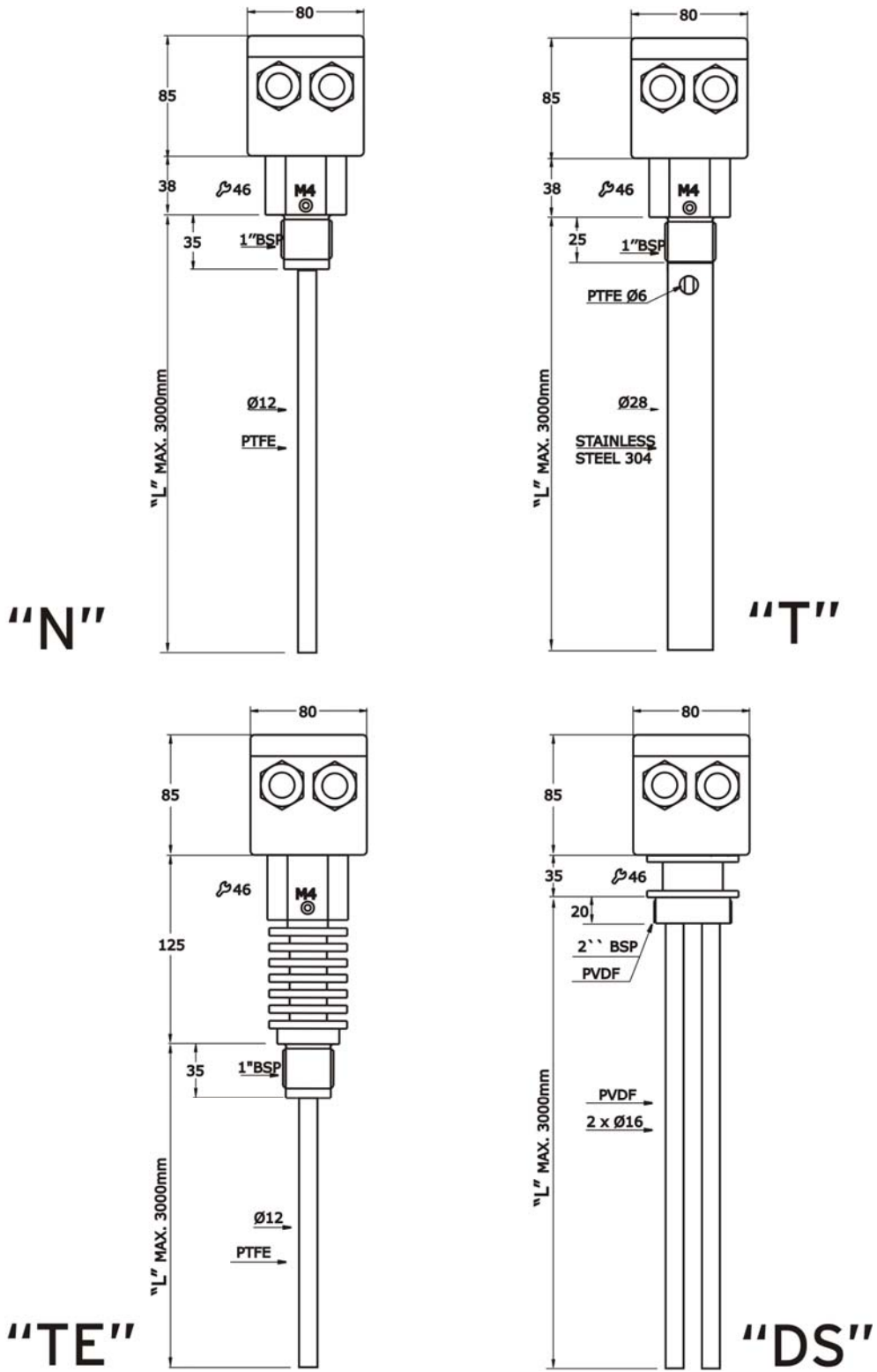
drawing 2

drawing 3

3. Once DIP-SWITCHES are correctly settled the SENSITIVITY ADJUSTMENT must be done (chapter 8).



10. Models



## 11. Technical Data

---

Note: Kobold Mesura makes every attempt to ensure the accuracy of these specifications but reserves the right to change them at any time.

- Supply: 24, 110, 230 Vac or 18 to 36 Vdc.
- Max. Power: 1 VA
- Process connection: 1G
- Other connections: Flange DIN, clamp, etc.
- Power supply and relay status LED.
- Polycarbonate housing IP.65.
- Ambient Temperature: -20...+60 °C.
- Process Temperature: max. 90°C (125°C model H).
- Cable gland 2 x M20.
- Relay Output: max. 250 Vca 1 A.
- Sensitivity adjustment by multi-turn trimmer.
- Vdc polarity reverse protection.
- Minimum or maximum security adjustment.
- Rod version probe covered with PTFE
- Electromagnetic compatibility  
EN 61010-1:2011 y EN61000-6-2:2006

## 12. EU Declaration of conformance

DT0341

### **DECLARACIÓN DE CONFORMIDAD EU**

*EU DECLARATION OF CONFORMITY  
EU-KONFORMITÄTSERKLÄRUNG  
DÉCLARATION DE CONFORMITÉ EU  
DICHIARAZIONE DI CONFORMITÀ EU*

**KOBOLD MESURA S.L.U.**  
**Ava. Conflent 68 nave 15, 08915 Badalona (España)**

#### **Declara, bajo la propia responsabilidad, que el producto**

*Declares under our sole responsibility, that the product  
Erklärt in alleiniger Verantwortung, dass das produkt  
Déclare sous sa seule responsabilité, que le produit  
Dichiara sotto la propria responsabilità, che il prodotto*

NCW...

#### **A los cuales se refiere esta declaración, son conformes a las siguiente Directivas Europeas:**

*To which this declaration relates is in conformity with the following European Directives:  
Mit folgenden Richtlinien Konform ist:  
À auxquels se réfère cette déclaration, ils sont conformes aux Directives Européennes suivant :  
A ai quali si riferisce questa dichiarazione, sono conformi alle direttive europee seguente:*

**EMC2014/30/EU LVD2014/35/EU RoHS2011/65/EU**

#### **Normas armonizadas y documentos de la normativa aplicados:**

*Applied harmonised standards and normative documents:  
Angewandte harmonisierte Normen und normativer Dokumente:  
Normes harmonisées et documents normatifs appliqués  
Norme armonizzate e documenti normativi applicati:*


EN61010-1:2011  
EN61000-6-2:2006

**Fabricado en: KOBOLD MESURA SLU Avda. Conflent 68 nave 15, 08915 BADALONA (Spain)**

*Made in:  
Hergestellt in:  
Fabriqué dans:  
Fabbricato in:*

Badalona 17 May 2017

Gerente



**13. Notes**

---





---

**KOBOLD MESURA S.L.U**

Avda Conflent N°68 Nave 15

08915 Badalona

Tel.: +34 93 460 38 83

Fax: +34 93 460 38 76

E-Mail: [info.es@kobold.com](mailto:info.es@kobold.com)

[www.kobold.com](http://www.kobold.com)

**Technical data**  
**Subject to change without prior notice**

