



Bourdon Tube Test Pressure Gauges

according to EN 837-1



measuring
•
monitoring
•
analysing

MAN-F



- Housing: 160 mm, 250 mm
- Connection: G ½
- Material
Housing: aluminium,
steel black, stainless steel
Connection: brass, stainless steel
- Measuring ranges:
-0.6...0 bar to 0...2500 bar
- Accuracy class: 0.6 or 0.25
- Options: damping liquid,
contacts, special ranges



P1

KOBOLD companies worldwide:

AUSTRALIA, AUSTRIA, BELGIUM, BULGARIA, CANADA, CHINA, CZECHIA, EGYPT, FRANCE, GERMANY, GREAT BRITAIN, HUNGARY, INDIA, INDONESIA, ITALY, MALAYSIA, MEXICO, NETHERLANDS, PERU, POLAND, REPUBLIC OF KOREA, ROMANIA, SPAIN, SWITZERLAND, THAILAND, TUNISIA, TURKEY, USA, VIETNAM

KOBOLD Messring GmbH
Nordring 22-24
D-65719 Hofheim/Ts.
Head Office:
+49(0)6192 299-0
+49(0)6192 23398
info.de@kobold.com
www.kobold.com

Application

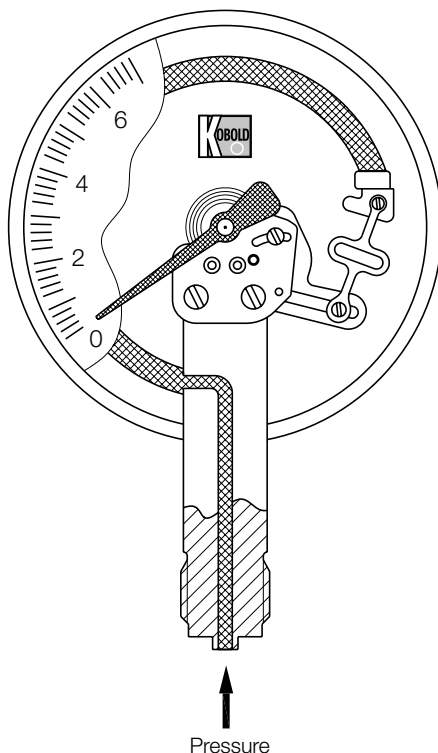
These test pressure gauges are manufactured to the very highest standards and are used to test pressures of tanks, pipes fittings and in laboratories.

Measuring principle

The precision test pressure gauges have a high-grade measuring element. The pressure proportional elastic deformation of the Bourdon tube is transmitted through a low friction movement to the knife edge pointer.

With the help of the scale on the dial you can read the current pressure at measuring element.

Unifilar drawing



Housing

Following housing diameter are available:

160 mm, 250 mm. The housing material is stainless steel, aluminium or steel, black painted.

Installation

The gauges are most often installed straight into the customer's screw necks.

Connection

The gauges are supplied with a G $\frac{1}{2}$ connecting thread as standard. The connection is made of brass or stainless steel. The gauges can be used with non aggressive gaseous or liquid, but not with highly viscous or crystallizing media. Other connection types are available on request.

Measuring ranges

The measuring ranges are graduated according to DIN recommendations and lie between -0.6 bar and 2500 bar. Other scales with measuring ranges in PSI, Pa or with your company logo are available on request.

Damping liquid

Pressure gauges with liquid filling are used in locations with high alternating dynamic loads, strong vibrations and pulses. The filling ensures easy readability through steady pointer movement even when subjected to extreme loading and heavy vibration. The lubricating effect of the glycerine also keeps wear to a minimum. Glycerine is always used as a matter of principle. In gauges with a contact or an electrical measuring transducer, liquid paraffin is used as a non-conductive alternative.

Silicon fillings of various viscosities are also optionally available. Please note, that not all precision type devices can be filled with liquid.

Contacts

For monitoring the system pressure gauges can be fitted up to 2 limit contacts.


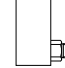

Inductive contacts are also available. (see Chapter Contact Device).

Application areas

- Test benches
- Control and adjustment of operating pressure-measuring gauges
- Laboratories
- Calibration centres, board of weights and measures



Technical Details

Bourdon tube test pressure gauge							
Connection/housing		Model					
Connection bottom	 MAN-...FG22... ..FG32... ..FG26... - ...FG22Y... ..FI12...						
Connection eccentric back	 MAN-...FG24... ..FG34... - - -						
Connection lateral	 MAN-... - - - ...FG1B... - -						
Accuracy class	0.6 0.6 0.6 0.6 0.25 0.6						
Diameter	160 mm 160 mm 160 mm 160 mm 160 mm 250 mm						
Housing material	stainless steel aluminium stainless steel st. steel stainless steel steel black						
Housing fillable	yes yes yes no no no						
Ring	stainless steel steel black stainless steel st. steel stainless steel steel black						
Pointer	stainless steel 1.4301						
Movement	Messing Messing stainless steel st. steel stainless steel stainless steel						
Throttle D=	from 60 bar 0.5 mm						
Window	instrument glass instrument glass safety glass safety glass safety glass safety glass						
Measuring element	CuBe CuBe st. steel 1.4571, from 400 bar Monel stainless steel CuBe, from 100 bar st. steel 1.4571 CuBe, from 100 bar st. steel 1.4571						
Protection	IP 65			IP 54			
Overrange (rest / change / short time)	1.0 times / 0.9 times / 1.3 times of full scale						
Weight (with contacts plus 0.3 kg)	1.0 kg 1.2 kg 1.0 kg 3.8 kg 1.3 kg 3.0 kg						
Ambient temperature	-20...+60°C -20...+60°C -20...+80°C -40...+60°C -40...+60°C -20...+60°C						
Connection	brass brass st. steel 1.4571, from 400 bar Monel st. steel brass, from 1000 bar st. steel brass, from 1000 bar st. steel						
Thread connection	G 1/2 male G 1/2 male G 1/2 male M20x1,5 G 1/2 male G 1/2 male						
Max. temperature of media	80°C 60°C 80°C 200°C 60°C 60°C, from 100 bar: 100°C						
Contacts	max. 2 x max. 2 x max. 2 x no no no						
Indicating range	Code of indicating range						
-0.6 ... 0 bar	- - ..AC ..AC ..AC ..AC						
-1 ... 0 bar	..AD ..AD ..AD ..AD ..AD ..AD						
-1 ... +0.6 bar	..A0 ..A0 ..A0 ..A0 ..A0 ..A0						
-1 ... +1.5 bar	..A1 ..A1 ..A1 ..A1 ..A1 ..A1						
-1 ... +3 bar	..A2 ..A2 ..A2 ..A2 ..A2 ..A2						
-1 ... +5 bar	..A3 ..A3 ..A3 ..A3 ..A3 ..A3						
-1 ... +9 bar	..A4 ..A4 ..A4 ..A4 ..A4 ..A4						
-1 ... +15 bar	..A5 ..A5 ..A5 ..A5 ..A5 ..A5						
0 ... 0.6 bar	- - - ..B1 ..B1 ..B1						
0 ... 1 bar	..B2 ..B2 ..B2 ..B2 ..B2 ..B2						
0 ... 1.6 bar	..B3 ..B3 ..B3 ..B3 ..B3 ..B3						
0 ... 2.5 bar	..B4 ..B4 ..B4 ..B4 ..B4 ..B4						
0 ... 4 bar	..B5 ..B5 ..B5 ..B5 ..B5 ..B5						
0 ... 6 bar	..B6 ..B6 ..B6 ..B6 ..B6 ..B6						
0 ... 10 bar	..B7 ..B7 ..B7 ..B7 ..B7 ..B7						
0 ... 16 bar	..B8 ..B8 ..B8 ..B8 ..B8 ..B8						
0 ... 25 bar	..B9 ..B9 ..B9 ..B9 ..B9 ..B9						
0 ... 40 bar	..B0 ..B0 ..B0 ..B0 ..B0 ..B0						
0 ... 60 bar	..C1 ..C1 ..C1 ..C1 ..C1 ..C1						
0 ... 100 bar	..C2 ..C2 ..C2 ..C2 ..C2 ..C2						
0 ... 160 bar	..C3 ..C3 ..C3 ..C3 ..C3 ..C3						
0 ... 250 bar	..C4 ..C4 ..C4 ..C4 ..C4 ..C4						
0 ... 400 bar	..C5 ..C5 ..C5 ..C5 ..C5 ..C5						
0 ... 600 bar	..C6 ..C6 ..C6 ..C6 ..C6 ..C6						
> 600 bar	..On request						

Further options on request: back flange, front flange, safety glass instead of instrument glass, double scale, throttle, other threads

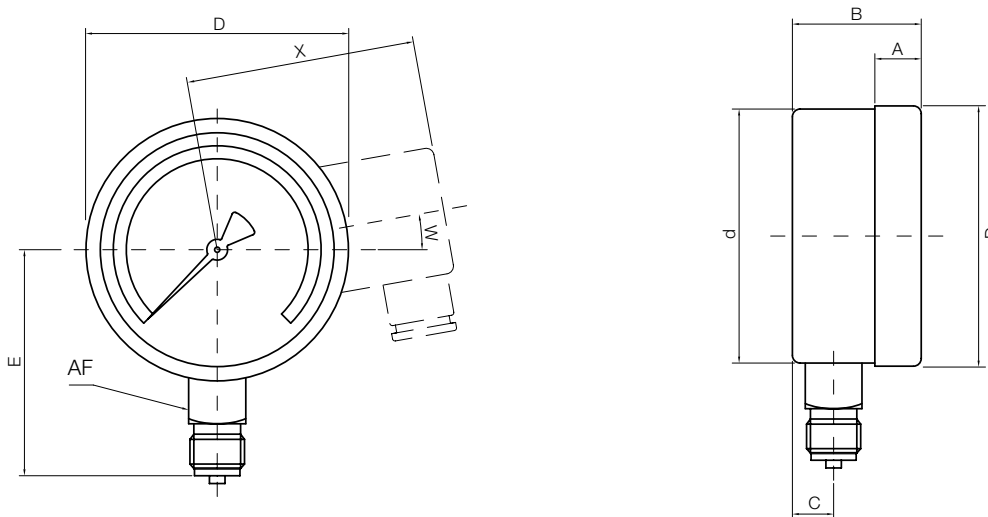
Dimensions

Bottom connection

Code	NG	A	B without contact	B 1 or 2 contacts	C	d	D	E	AF	W	X
MAN-FG 22/26	160 mm VA	21	50	101	15	159	162	117	22	0	118
MAN-FG 22Y	160 mm VA	17.5	49.5 ¹⁾	-	15.5	159	161	118	22	-	-
MAN-FG 32	180 mm Alu	-	48	101	18.5	160	-	115	27	25°	118
MAN-FI 12	250 mm	-	64.5 ²⁾	-	17	250	-	165	22	-	-

¹⁾ 64.5 mm (up to 4 bar and from 1600 bar)

²⁾ 51.5 mm (for 6 bar up to 60 bar)



Back connection

Code	NG	A	B without contact	B 1 or 2 contacts	C	d	D	E	AF	W	X
MAN-FG 24	160 mm VA	21	50	101	34	159	162	32.5	17	0	118
MAN-FG 34	160 mm VA	-	48	101	30	160	-	50	27	25°	118

