



## Valves

from brass and stainless steel



measuring  
•  
monitoring  
•  
analysing

NAD



- $p_{max}$ : PN 250;  $t_{max}$ : 400 °C
- Screw thread: G 1/8... G 3/8  
1/8" NPT... 1" NPT
- Weld ends:  
DN 15... DN 50
- Needle valves
- Angle-seat valves
- Globe valves



Z1

KOBOLD companies worldwide:

AUSTRALIA, AUSTRIA, BELGIUM, BULGARIA, CANADA, CHINA, CZECHIA, FRANCE, GERMANY, GREAT BRITAIN, HUNGARY, INDIA, INDONESIA, ITALY, MALAYSIA, MEXICO, NETHERLANDS, PERU, POLAND, REPUBLIC OF KOREA, RUSSIA, SPAIN, SWITZERLAND, THAILAND, TUNISIA, TURKEY, USA, VIETNAM

KOBOLD Messring GmbH  
Nordring 22-24  
D-65719 Hofheim/Ts.  
Head Office:  
+49(0)6192 299-0  
+49(0)6192 23398  
info.de@kobold.com  
www.kobold.com

**Description**

Stainless steel needle valves are used to vary the flow cross section, thus regulating the flow volume. The flow is regulated by a cone-shaped valve that is moved by means of a spindle away from or toward the valve seat. The amount of flow change is determined by the size of the resulting angular gap between the cone and seat. The rate of flow change is determined by how much the valve spindle is turned as well as the pitch of the valve spindle thread.

**Materials**

Body: stainless steel 1.4571  
 Upper part: stainless steel 1.4571  
 Spindle: stainless steel 1.4571  
 Gland packing: PTFE  
 Gland: stainless steel 1.4571  
 Union nut: stainless steel 1.4301  
 Hand wheel: molded resin

**Technical Details**

Design: two-part screwed body, with screwed-on upper part  
 Connections: G 1/8... G 1 1/4 (DIN ISO 228/1) female thread, male thread, female and male thread 1/8" NPT... 1" NPT female thread  
 Temperature range: -20 °C... +120 °C  
 Nominal pressure: PN250  
 Operation: rotation of hand wheel

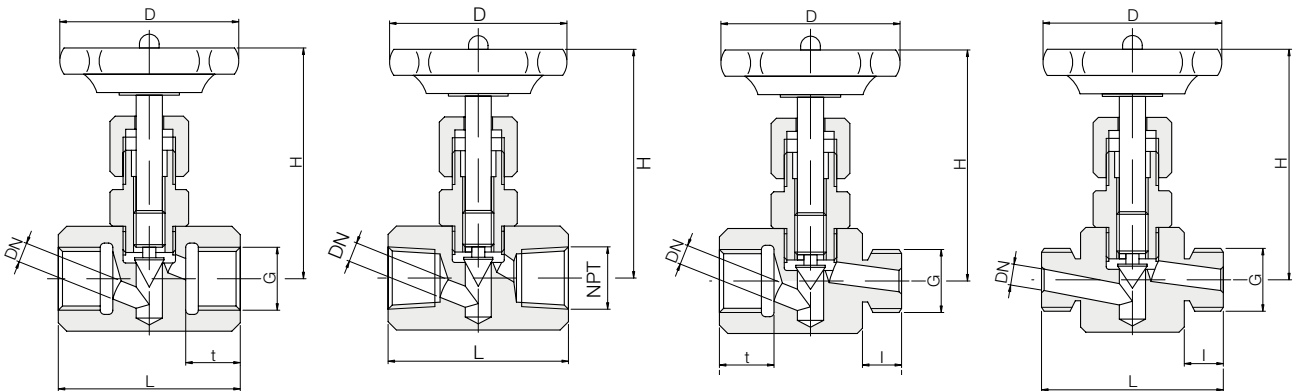


Female thread G

Female thread NPT

Female/male thread

Male thread



**Dimensions and Order Details** (example: NAD-MZR 06)

Screw thread		Order no. G thread			Order no. NPT thread	DN	L <sup>1)</sup>	L <sup>2)</sup>	t	I	H	D	k <sub>v</sub> value	Weight
[G]	[NPT]	Female/male thread	Female thread	Male thread	Female thread	[mm]	[mm]	[mm]	[mm]	[mm]	[mm]	[mm]	[m³/h]	[kg]
1/8	1/8-27	NAD-MZR 06	NAD-MMR 06	NAD-ZZR 06	NAD-MMN 06	4	45	50	10	9	74	50	0.27	0.30
1/4	1/4-18	NAD-MZR 08	NAD-MMR 08	NAD-ZZR 08	NAD-MMN 08	5	50	55	13	11	73	50	0.48	0.32
3/8	3/8-18	NAD-MZR 10	NAD-MMR 10	NAD-ZZR 10	NAD-MMN 10	6	55	60	14	11	72	50	0.54	0.32
1/2	1/2-14	NAD-MZR 15	NAD-MMR 15	NAD-ZZR 15	NAD-MMN 15	8	60	70	16	13	83	63	0.75	0.46
3/4	3/4-14	NAD-MZR 20	NAD-MMR 20	NAD-ZZR 20	NAD-MMN 20	10	75	80	18	16	100	63	1.2	0.76
1	1-11.5	NAD-MZR 25	NAD-MMR 25	NAD-ZZR 25	NAD-MMN 25	12	100	110	22	18	110	80	2.7	1.58
1 1/4	-	NAD-MZR 32	NAD-MMR 32	NAD-ZZR 32	-	15	120	-	24	20	135	100	3.6	2.82

<sup>1)</sup> = G thread    <sup>2)</sup> = NPT thread



**Model NAD-... T (High temperature version)**

**Description**

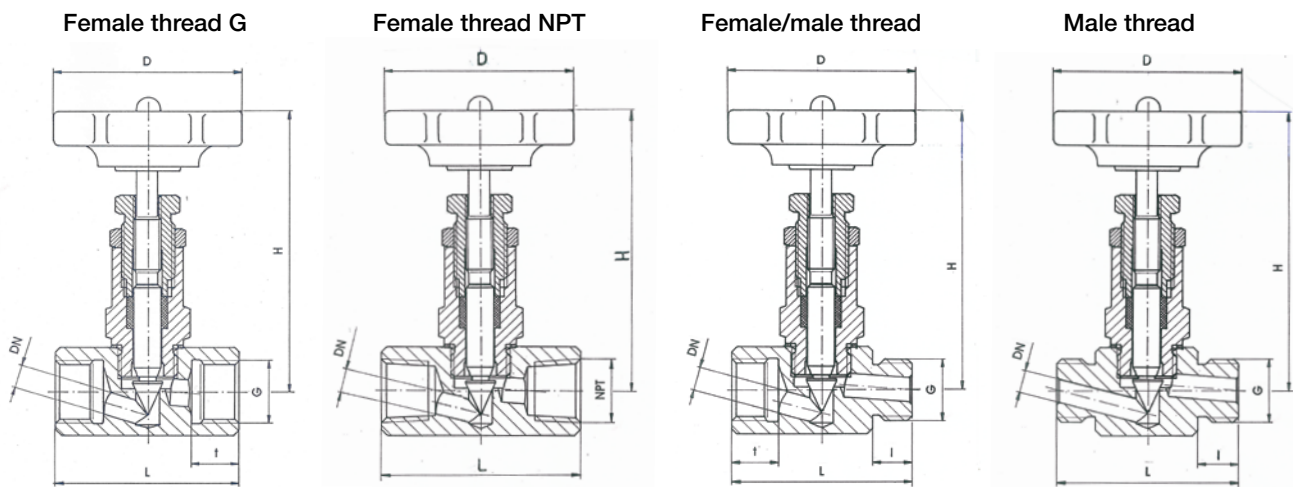
High temperature stainless steel needle valves are used to vary the flow cross section, thus regulating the flow volume. The flow is regulated by a cone-shaped valve that is moved away from or toward the valve seat by means of a spindle with an external spindle thread. The amount of flow change is determined by the size of the resulting angular gap between the cone and seat. The rate of flow change is determined by how much the valve spindle is turned as well as the pitch of the valve spindle thread.

**Materials**

Body: stainless steel 1.4571  
 Upper part: stainless steel 1.4571  
 Spindle: stainless steel 1.4571  
 Cone: stainless steel 1.4571 carbonitrided  
 Gland packing: graphite  
 Gland: stainless steel 1.43051  
 Union nut: stainless steel 1.4301  
 Hand wheel: molded resin

**Technical Details**

Design: two-part screwed body, with screwed-on upper part  
 Connections: G 1/8... G 1 1/4 (DIN ISO 228/1) female thread, male thread, female and male thread 1/8" NPT... 1" NPT female thread  
 Temperature range: -20 °C... +400 °C  
 Nominal pressure: PN 100  
 Operation: rotation of hand wheel



**Dimensions and Order Details (example: NAD-MZR 06T)**

Screw thread	Order no. G thread			Order no. NPT thread	DN [mm]	L <sup>1)</sup> [mm]	L <sup>2)</sup> [mm]	t [mm]	l [mm]	H <sup>3)</sup> [mm]	D [mm]	k <sub>v</sub> value [m³/h]	Weight <sup>3)</sup> [kg]	
	[G]	[NPT]	Female/male thread											Female thread
1/8	1/8-27	NAD-MZR 06T	NAD-MMR 06T	NAD-ZZR 06T	NAD-MMN 06T	4	45	50	10	9	85	50	0.27	0.32
1/4	1/4-18	NAD-MZR 08T	NAD-MMR 08T	NAD-ZZR 08T	NAD-MMN 08T	5	50	55	13	11	84	50	0.48	0.33
3/8	3/8-18	NAD-MZR 10T	NAD-MMR 10T	NAD-ZZR 10T	NAD-MMN 10T	6	55	60	14	11	83	50	0.54	0.34
1/2	1/2-14	NAD-MZR 15T	NAD-MMR 15T	NAD-ZZR 15T	NAD-MMN 15T	8	60	70	16	13	86	63	0.75	0.47
3/4	3/4-14	NAD-MZR 20T	NAD-MMR 20T	NAD-ZZR 20T	NAD-MMN 20T	10	75	80	18	16	95	63	1.2	0.69
1	1-11.5	NAD-MZR 25T	NAD-MMR 25T	NAD-ZZR 25T	NAD-MMN 25T	12	100	110	22	18	125	80	2.7	1.70
1 1/4	-	NAD-MZR 32T	NAD-MMR 32T	NAD-ZZR 32T	-	14	120	-	24	20	150	100	3.6	2.90

<sup>1)</sup> = G thread    <sup>2)</sup> = NPT thread    <sup>3)</sup> = valid for NAD-MMR...T

**Description**

KOBOLD NAD-AC brass-needle valves allow economical regulation of the flow volume of liquids and gases.

The amount of flow change is determined by the size of the resulting angular gap between the cone and seat. The flow is regulated by a cone-shaped valve that is moved by means of a spindle away from or toward the valve seat. The rate of flow change is determined by how much the valve spindle is turned as well as the pitch of the valve spindle thread.

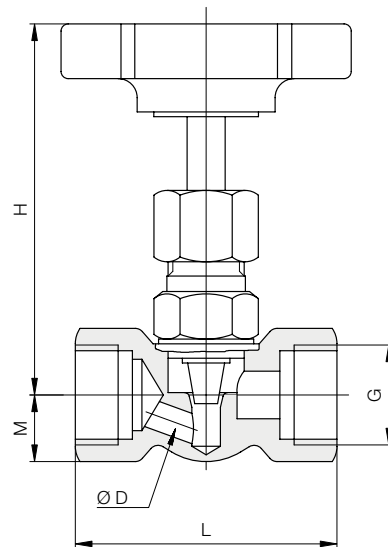
**Materials**

- Body: CuZn 39Pb3F37
- Bonnet: brass (Ms 58)
- Spindle: brass (Ms 58)
- Packing bottom-ring: brass (Ms 58)
- Spindle seal: G 1/8 ... G 1/2 = NBR  
G 3/4 ... G 2 = PTFE
- Gland nut: brass (Ms 58)
- Hand wheel: plastic

**Technical Details**

- Design: two-part screwed body, with screwed-on upper part
- Connections: female thread G 1/8 ... G 2 (acc. to DIN 259)
- Temperature range: max. +100 °C
- Nominal pressure: PN 100/PN 40 (from G 1 1/4)
- Operation: rotation of hand wheel

**NAD-AC**



**Dimensions and Order Details** (example: NAD-ACR 06)

Screw thread [G]	Order no.	D [mm]	L [mm]	H [mm]	M [mm]	k <sub>v</sub> value [m <sup>3</sup> /h]
1/8	NAD-ACR 06	4.0	50	70	12.5	0.24
1/4	NAD-ACR 08	5.0	50	78	12.5	0.48
3/8	NAD-ACR 10	6.0	50	78	12.5	0.60
1/2	NAD-ACR 15	6.5	55	78	14.0	0.66
3/4	NAD-ACR 20	9.0	67	90	18.0	1.08
1	NAD-ACR 25	11.0	75	95	22.5	1.62
1 1/4	NAD-ACR 32	13.0	110	105	30.0	3.0
1 1/2	NAD-ACR 40	15.0	110	110	32.5	3.6
2	NAD-ACR 50	15.0	110	110	32.5	3.6

**Design**

Two-part screwed body

**Materials**

Body: stainless steel 1.4408

Cover: stainless steel 1.4408

Metallic internal parts: stainless steel 1.4401

Packing bottom-ring: brass (Ms 58)

Gasket: metal/metal

**Technical Details**

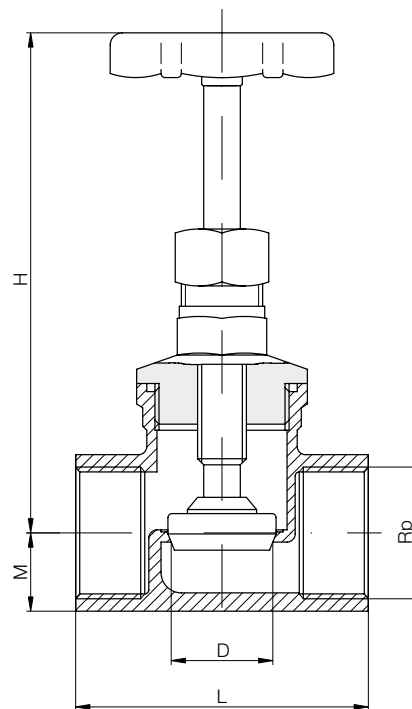
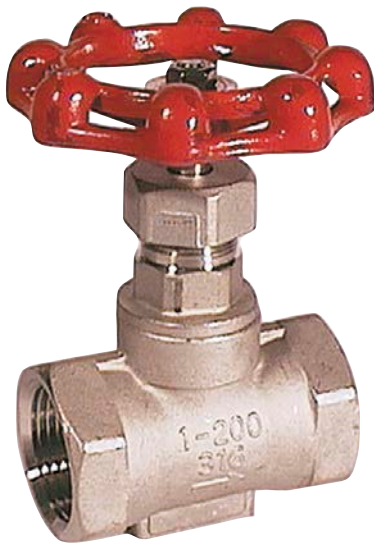
Connections: female thread Rp 1/4 ... Rp 2  
(acc. to DIN 2999)

Temperature range: -30 °C ... +130 °C

Nominal pressure: PN 16

Operation: rotation of hand wheel

**NAD-AB**



**Dimensions and Order Details** (example: NAD-ABR 08)

Screw thread [Rp]	Order no.	D [mm]	M [mm]	H [mm]	L [mm]	Weight [kg]
1/4	NAD-ABR 08*	8	13	93	52	0.40
3/8	NAD-ABR 10*	10	13	73	52	0.25
1/2	NAD-ABR 15*	15	15	73	52	0.25
3/4	NAD-ABR 20*	20	19	85	60	0.45
1	NAD-ABR 25	25	23	92	72	0.60
1 1/4	NAD-ABR 32	32	29	110	81	0.95
1 1/2	NAD-ABR 40	40	31	125	91	1.25
2	NAD-ABR 50	50	37	140	100	1.75

\* Minimum order quantity: 2 pieces per PO, mixed sizes possible

**Design**

Two-part screwed body

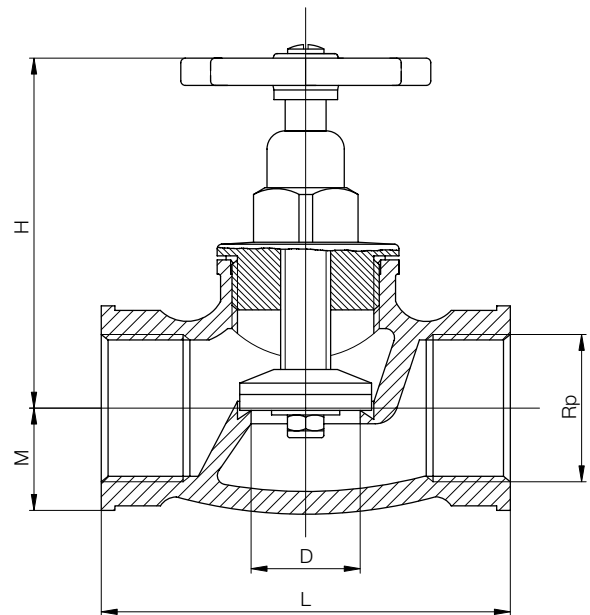
**Materials**

Body: brass  
 Cover: brass  
 Metallic internal parts: brass  
 Packing bottom-ring: NBR  
 Gasket: EPDM

**Technical Details**

Connections: female thread Rp 1/4 ... Rp 3  
 (acc. to DIN 2999)  
 Temperature range: -10 °C ... +90 °C  
 Nominal pressure: PN 10  
 Operation: rotation of hand wheel

**NAD-BF**



**Dimensions and Order Details** (example: NAD-BFR 08))

Screw thread [Rp]	Order no.	D [mm]	M [mm]	H [mm]	L [mm]	Weight [kg]
3/8	NAD-BFR 10**	10	12.5	68	65	0.20
1/2	NAD-BFR 15**	15	15.0	63	65	0.27
3/4	NAD-BFR 20**	20	18.5	82	75	0.43
1	NAD-BFR 25**	25	20.5	88	90	0.70
1 1/4	NAD-BFR 32**	32	26.5	98	110	1.10
1 1/2	NAD-BFR 40*	40	30.0	124	120	1.40
2	NAD-BFR 50*	50	37.5	138	150	2.50
2 1/2	NAD-BFR 65	65	47.5	173	190	4.70
3	NAD-BFR 80	80	53.0	270	205	6.50

\* Minimum order quantity: 2 pieces per PO, mixed sizes possible  
 \*\* Minimum order quantity: 5 pieces per PO, mixed sizes possible

**Design**

Two-part screwed body

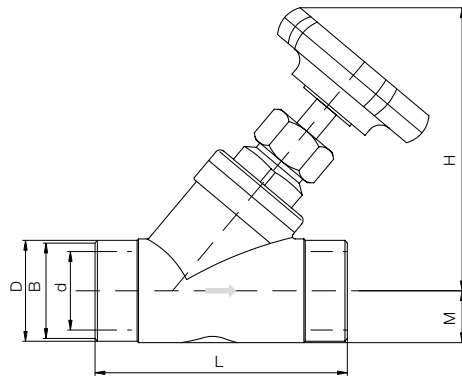
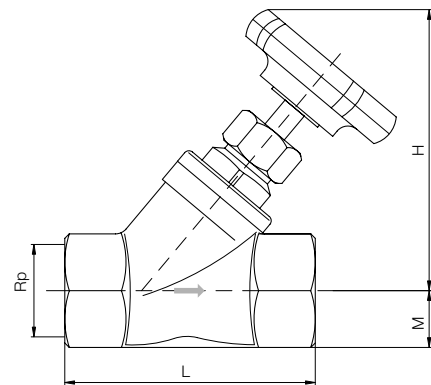
**Materials**

Body: stainless steel 1.4408  
 Cover: stainless steel 1.4408  
 Metallic internal parts: stainless steel 1.4404  
 Gasket: PTFE  
 Mounting position: any, note specified direction of flow

**Technical Details**

Connections: female thread Rp 1/4 ... Rp 2  
 (acc. to DIN 2999)  
 weld ends DN 15 ... DN 50  
 (acc. to DIN 3239)  
 Temperature range: -20 °C ... +180 °C  
 Nominal pressure: PN 16  
 Operation: rotation of hand wheel

**NAD-AD**



**Dimensions and Order Details (example: NAD-ADR 15))**

Screw thread [Rp]	Weld ends [DN]	Order no. female thread	Order no. weld ends	L [mm]	H [mm]	M [mm]	DIN 3239 Ø B [mm]	DIN 3239 Ø D [mm]	DIN 3239 Ø d [mm]
1/2	15	NAD-ADR 15*	NAD-ADW 15*	65.5	97.0	13.5	22	27	19
3/4	20	NAD-ADR 20	NAD-ADW 20	75.5	110.0	16.0	28	33	24
1	25	NAD-ADR 25	NAD-ADW 25	90.5	117.0	20.5	34	41	31
1 1/4	32	NAD-ADR 32	NAD-ADW 32	111.0	138.0	25.0	43	50	39
1 1/2	40	NAD-ADR 40	NAD-ADW 40	121.0	150.0	27.8	49	56	45
2	50	NAD-ADR 50	NAD-ADW 50	115.0	168.0	35.0	61	70	57

\* Minimum order quantity: 2 pieces per PO, mixed sizes possible

**Design**

Two-part screwed body

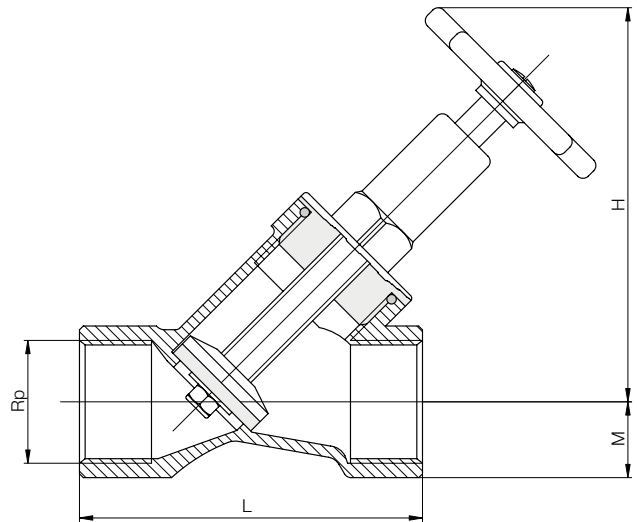
**Materials**

Body: brass  
 Cover: brass  
 Metallic internal parts: brass  
 O-rings: NBR  
 Seat gasket: EPDM

**Technical Details**

Connections: female thread Rp  $\frac{3}{8}$ ...Rp 3  
 (acc. to DIN 2999)  
 Temperature range: -10 °C...+90 °C  
 Nominal pressure: PN 16  
 Operation: rotation of hand wheel

**NAD-BE**



**Dimensions and Order Details** (example: NAD-BER 10)

Screw thread [Rp]	Order no.	M [mm]	H [mm]	L [mm]	Weight [kg]
$\frac{3}{8}$	NAD-BER 10*	14.0	78	65	0.20
$\frac{1}{2}$	NAD-BER 15*	14.0	78	65	0.25
$\frac{3}{4}$	NAD-BER 20*	16.0	84	75	0.35
1	NAD-BER 25*	20.0	108	90	0.65
1 $\frac{1}{4}$	NAD-BER 32*	27.0	135	110	1.15
1 $\frac{1}{2}$	NAD-BER 40*	30.0	148	120	1.30
2	NAD-BER 50	38.0	177	150	2.50
2 $\frac{1}{2}$	NAD-BER 65	42.5	195	180	3.60
3	NAD-BER 80	50.0	240	210	6.10

\* Minimum order quantity: 5 pieces per PO, mixed sizes possible