



All-Metal Variable Area Flow Meter and Counter

for liquids and gases



measuring
•
monitoring
•
analysing

BGN



- Measuring range:
0.5-5.0 ... 13000-130000 l/h water
0.015-0.15 ... 240-2400 m³/h air
(20 °C, 1.013 bar)
- Accuracy class: 1.6
- p_{max}: PN 40; t_{max}: -40 ... +350 °C
- Connection: flange DN 15 ... DN150
- Material: stainless steel
1.4404/1.4571, Hastelloy® C, PTFE
- Option: contacts, analogue
output with HART® or Fieldbus®
Foundation™, counter

Special
versions up to
600 bar

-

Nominal
diameter up to
DN150



S2

KOBOLD companies worldwide:

AUSTRALIA, AUSTRIA, BELGIUM, BULGARIA, CANADA, CHINA, CZECHIA, FRANCE, GERMANY, GREAT BRITAIN, HUNGARY, INDIA, INDONESIA, ITALY, MALAYSIA, MEXICO, NETHERLANDS, PERU, POLAND, REPUBLIC OF KOREA, SPAIN, SWITZERLAND, THAILAND, TUNISIA, TURKEY, USA, VIETNAM

KOBOLD Messring GmbH
Nordring 22-24
D-65719 Hofheim/Ts.
Head Office:
+49(0)6192 299-0
+49(0)6192 23398
info.de@kobold.com
www.kobold.com



Functions

The fluid flows from bottom to top through the meter tube of the flowmeter. The float is lifted until an annular gap between the meter ring and the cone-shaped float is produced which corresponds to the flow. The forces acting on the float are in equilibrium. The forces that are mainly acting on the float comprise buoyancy according to the principle of Archimedes, the flow force of the medium and the weight force. Each position of the float corresponds to a flow value measured during calibration, which is transferred to a scale. The BGN variable area flow meter consists of a meter tube with connections, a meter ring, and a conical float. By means of a magnet, the position of the float is transferred to an encapsulated follow magnet, which has been fitted to a pointer axle. The position of a second annular follow magnet fitted on the pointer axle is transferred to the scale by means of the pointer.

Application

The KOBOLD-BGN meter is suitable for flow measurement of liquid or gaseous products in pipes. It shows the current flow rate in volume or mass per unit in time.

Applications

Flow measurement, monitoring, adjusting and control of liquid and gaseous products. The meter's design makes it ideal for processes under difficult and rough operating conditions. The devices are available with additional electrical equipment for process monitoring and control.

- A large spectrum of wetted materials
- Magneto-resistive signal transmission
- Gas- or liquid damping (option)
- Special design for high-pressure and high-temperature applications
- Excellent heat tracing technology (option)
- Double eddy current damping (special version)
- Self draining (special version)
- Backflow stop (special version)
- Flow Controller (special version)

Technical Details

Fitting

Material: st. st. 1.4404 (316 L) / 1.4571 (316 Ti), Hastelloy® C-22, PTFE Monel®, titanium and other special materials on request

Process connection: Flanges acc. EN 1092-1 ASME B16.5, DIN 2512, JIS, NPT, screw pipe connection, special connections on request

Nominal pressure: PN 40, ASME CI150 / 300 (standard) (BGN-S/H)
PN 16, ASME CI150 (standard) (BGN-P)

higher pressure rates optional (max. 600 bar)

Process temperature: -40 °C ... +200 °C (BGN-S/H without electr. output)

-40 °C ... +150 °C (BGN-S/H with electr. output)

-40 °C ... +350 °C (BGN-S/H with option V/ H / W)

-40 °C ... +125 °C (BGN-P)

Ambient temperature: -40 °C ... +80 °C

Accuracy

Liquid: ± 1.6 % of full scale (BGN-S/H)
± 2.0 % of full scale (BGN-P)

Gas: ± 1.8 % of full scale (BGN-S/H)
± 2.2 % of full scale (BGN-P)

Additional inaccuracy through transmitter (ES): ± 0.2 %

Repeatability: ± 0.5 % of full scale

Certification

ATEX (IECEX) Directive: 2014/34/EU

BGN (mechanical device): HMT21-4111X (Conformity statement)

Ex marking: II 2G Ex h IIC T1...T6 Gb
II 2D Ex h IIC T85°C/T350°C Db



Technical Details (continued)

Display

Material:	aluminium (stove-enamelled) stainless steel (as option)
Electrical outputs:	Inductive switch, SJ 3,5-N NAMUR (standard)* Inductive switch, SJ 3,5-SN NAMUR (safety design)* on request max. 2 micro changeover switches (Reed switch U_{max} : 175 V _{DC} , I_{max} : 0.25 A, p_{max} : 5 W) others on request
Ambient temperature:	-40 °C ... +80 °C (without limit switch) -40 °C ... +65 °C (with limit switch)
Protection:	IP 65 (aluminium housing) IP 65, IP 66, IP 67 (stainless steel housing)

Transmitter

- ES with HART®-protocol
- ES with HART®-protocol and
2 NAMUR-switches*
- ES with HART®-protocol and
1 NAMUR-switch* / 1 pulse output
- ES with HART®-protocol and counter module
- ES with Fieldbus® Foundation™

* Contact can be configured using HART®

Power supply:	14 - 30 V _{DC}
Output:	passive, galvanically isolated
Current:	4-20 mA
Binary 1 and 2:	$U_i = 30$ V, $I_i = 20$ mA, $P_i = 100$ mW
Input Binary:	Counter reset (only for ES with counter module)
Ambient temperature:	-40 °C ... +70 °C

Certification

ATEX (IECEX) Directive:	2014/34/EU
ES:	DMT 00 ATEX E 075 / IECEX BVS 16.0072
Ex marking:	II 2G Ex ia IIC T6 Gb
SJ 3,5-N:	PTB 99 ATEX 2219X
SJ 3,5-SN:	PTB 00 ATEX 2049X
Ex marking:	II 2G Ex ia IIC T6...T1 Gb II 1D Ex ia IIIC T200 135°C Da
KCS (Korea):	
ES:	19-KA4BO-0315
Ex marking:	Ex ia IIC T6
NEPSI (China):	
ES:	GYJ22.1875
Ex marking:	Ex ia IIC T6 Gb
PESO (India):	
ES:	P568580
Ex marking:	Ex ia IIC T6 Gb

Additional options and special versions:

- Other materials
- Other flange versions and sizes
- Certifications
- Display with pressure compensations
against condensate build up
- Micro changeover switches
- Inductive switches with safety design
- Double eddy current damping
- Self draining body
- Backflow stop
- Flow controller
- Special float for low pressure loss



All-Metal Variable Area Flow Meter and Counter Model BGN

Order Details for Liquids (Example: **BGN-S 10305B A 0 0 0 0 S 1 0 0 K**)

Model	Measuring range water at 1000 kg/m ³ , 1 mPas [l/h]	Measuring range air at 20°C, 1013 mbar [Nm ³ /h] ¹⁾	Connec-tion size DN, (ASME)	Pressure stage (DIN-flange)	Max. pressure loss [mbar]	Code ²⁾ flange DIN EN1092-1 Form B1	Code ²⁾ flange ASME Class 150 RF
BGN-S = stainless steel measuring tube (process temperature up to 350 °C)	0,5 - 5 ⁵⁾	0,015 - 0,15 ⁵⁾	DN 15, (¾")	PN 40	40	10305B A	10202R A
	1 - 10 ⁵⁾	0,03 - 0,3 ⁵⁾	DN 15, (¾")	PN 40	40	10305B B	10202R B
	1,6 - 16	0,145 - 0,48 ⁵⁾	DN 15, (¾")	PN 40	40	10305B C	10202R C
	2,5 - 25 ⁵⁾	0,075 - 0,75 ⁵⁾	DN 15, (¾")	PN 40	40	10305B D	10202R D
	4 - 40 ⁵⁾	0,13 - 1,3 ⁵⁾	DN 15, (¾")	PN 40	40	10305B E	10202R E
	5 - 50	0,15 - 1,5	DN 15, (¾")	PN 40	40	15305B F	15202R F
	7 - 70	0,2 - 2,1	DN 15, (¾")	PN 40	40	15305B G	15202R G
	10 - 100	0,3 - 3,0	DN 15, (¾")	PN 40	60	15305B H	15202R H
	16 - 160	0,5 - 4,6	DN 15, (¾")	PN 40	60	15305B I	15202R I
	25 - 250	0,7 - 7,0	DN 15, (¾")	PN 40	60	15305B J	15202R J
	40 - 400	1,0 - 11	DN 15, (¾")	PN 40	70	15305B K	15202R K
	60 - 600	1,7 - 17	DN 15, (¾")	PN 40	80	15305B L	15202R L
BGN-P = stainless steel measuring tube, PTFE-lining (process temperature up to 125 °C)	0,5-5 (0,7-7) ⁵⁾	0,015 - 0,15 ⁵⁾	DN 25, 1"	PN 40	40	10309B A	10203R A
	1-10 (1,2-12) ⁵⁾	0,03 - 0,3 ⁵⁾	DN 25, 1"	PN 40	40	10309B B	10203R B
	1,6-16 (2-20) ⁵⁾	0,145 - 0,48 ⁵⁾	DN 25, 1"	PN 40	40	10309B C	10203R C
	2,5-25 ⁵⁾	0,075 - 0,75 ⁵⁾	DN 25, 1"	PN 40	40	10309B D	10203R D
	4-40 ⁵⁾	0,13 - 1,3 ⁵⁾	DN 25, 1"	PN 40	40	10309B E	10203R E
	5-50	0,15 - 1,5	DN 25, 1"	PN 40	40	15309B F	15203R F
	7-70	0,2 - 2,1	DN 25, 1"	PN 40	40	15309B G	15203R G
	10-100	0,3 - 3,0	DN 25, 1"	PN 40	60	15309B H	15203R H
	16-160	0,5 - 4,6	DN 25, 1"	PN 40	60	15309B I	15203R I
	25-250	0,7 - 7,0	DN 25, 1"	PN 40	60	15309B J	15203R J
	40-400	1,0 - 11	DN 25, 1"	PN 40	70	15309B K	15203R K
	60-600	1,7 - 17	DN 25, 1"	PN 40	80	15309B L	15203R L
BGN-H = Hastelloy® measuring tube (process temperature up to 350 °C)	100-1000	3 - 30	DN 25, 1"	PN 40	60	25309B M	25203R M
	160-1600	4 - 46	DN 25, 1"	PN 40	70	25309B N	25203R N
	250-2500	7 - 70	DN 25, 1"	PN 40	100	25309B P	25203R P
	400-4000 ³⁾	11 - 110 ³⁾	DN 25, 1"	PN 40	240	25309B Q	25203R Q
	250-2500	7 - 70	DN 40, 1½"	PN 40	50	40317B P ³⁾	40205R P
	400-4000	11 - 110	DN 40, 1½"	PN 40	120	40317B Q ³⁾	40205R Q
	600-6000	17 - 170	DN 40, 1½"	PN 40	180	40317B R ³⁾	40205R R
	400-4000	11 - 110	DN 50, 2"	PN 40	80	50321B Q	50206R Q
	600-6000	17 - 170	DN 50, 2"	PN 40	90	50321B R	50206R R
	1000-10000	29 - 290	DN 50, 2"	PN 40	110	50321B S	50206R S
	1600-16000	46 - 460	DN 50, 2"	PN 40	230	50321B T	50206R T
	2500-25000 ³⁾	70 - 700 ³⁾	DN 50, 2"	PN 40	500	50321B U	50206R U
1600-16000	46 - 460	DN 80, 3"	PN 40	70	80331B T	80208R T	
2500-25000	70 - 700	DN 80, 3"	PN 40	100	80331B U	80208R U	
4000-40000 ³⁾	110 - 1100	DN 80, 3"	PN 40	350	80331B V	80208R V	
4000-40000	110 - 1100	DN 100, 4"	PN 16	120	1H335B V	1H210R V	
6000-60000 ³⁾ (5500 - 55000) ¹⁾	170 - 1700	DN 100, 4"	PN 16	360	1H335B W	1H210R W	
8000-80000 ³⁾	240 - 2400 ³⁾	DN 100, 4"	PN 16	600	1H335B X	1H210R X	
10000-100000 ³⁾	-	DN 100, 4"	PN 16	on request	1H335B 2	1H210R 2	
4000-40000	110 - 1100	DN 125, 5"	PN 16	120	1H340B V	1H211R V	
6000-60000 ³⁾ (5500 - 55000) ¹⁾	170 - 1700	DN 125, 5"	PN 16	360	1H340B W	1H211R W	
8000-80000 ³⁾	240 - 2400	DN 125, 5"	PN 16	600	1H340B X	1H211R X	
10000-100000 ^{3) 7)}	gas measurement not available	DN 125, 5"	PN 16	on request	1H340B 2	1H211R 2	
10000-100000 ^{3) 10)}	gas measurement not available	DN 150, 6"	PN 16	on request	H5345B 2	H5212R 2	
13000-130000 ^{3) 10)}	gas measurement not available	DN 150, 6"	PN 16	on request	H5345B 4	H5212R 4	



Continuation Order Details for Liquids (Example: BGN-S 10305B A 0 0 0 0 S 1 0 0 K)

Heating ³⁾ / cooling	Damping / spring stop	Draining body	Certificates	Display	Scale	Electrical output	Accessories
<p>0 = without</p> <p>1 = with heating Ermeto 12 mm</p> <p>2 = with heating DIN-flange DN15/PN40</p> <p>3 = with heating ANSI-flange 1/2" Class 150</p> <p>4 = with heating NPT-flange 1/2"</p>	<p>0 = without</p> <p>R = with flow restrictor for gas measuring^{5) 16)}</p> <p>F¹³⁾ = with liquid damping</p> <p>G¹³⁾ = with gas damping¹⁶⁾</p> <p>A¹³⁾ = with spring stop</p> <p>S¹³⁾ = with gas damping and spring stop</p>	<p>0 = without</p> <p>L¹⁴⁾ = with self draining body</p>	<p>0 = without certificate</p> <p>1 = certificate of compliance with the order 2.1</p> <p>2 = certificate of compliance with the order 2.2</p> <p>B = inspection certificate with material certificate 3.1</p> <p>C = inspection certificate with material certificate 3.2</p> <p>N = material certificate NACE</p>	<p>S = aluminium, up to 150 °C for electrical output, up to 200 °C for local indication</p> <p>V = aluminium, assembled at distance, up to 350 °C</p> <p>E¹⁵⁾ = stainless steel, up to 150 °C</p> <p>H¹⁵⁾ = stainless steel, assembled at distance, up to 350 °C</p> <p>T = aluminium, with pressure compensation, up to 150 °C for electrical output, up to 200 °C for local indication</p> <p>W = aluminium, with pressure compensation, assembled at distance, up to 350 °C</p>	<p>Water</p> <p>1 = %-scale</p> <p>2 = measuring range</p> <p>F = double scale (acc. customer preference)</p> <p>Media</p> <p>4 = %-scale</p> <p>5 = measuring range</p> <p>Please specify media data in plain text (see below)</p>	<p>0 = without</p> <p>1 = 1 inductive limit switch</p> <p>2 = 2 inductive limit switches</p> <p>3 = 1 inductive switch (safety design)^{17) 19) 20)}</p> <p>4 = 2 inductive switches (safety design)^{17) 19) 20)}</p> <p>L = 1 x micro change-over switch</p> <p>M = 2 x micro change-over switches</p> <p>6 = transmitter ES with HART®, Ex ia, 4-20 mA^{17) 18) 20)}</p> <p>7 = transmitter ES with HART®, Ex ia, 4-20 mA and 2 NAMUR-switches^{17) 19) 20)}</p> <p>8 = transmitter ES with HART®, Ex ia, 4-20 mA, 1 NAMUR-switch and 1 pulse output^{17) 19) 20)}</p> <p>E = 1 inductive switch (three-wire)</p> <p>F = 2 inductive switches (three-wire)</p> <p>G = 1 inductive switch NCB2-12GM40-Z0</p> <p>I¹⁵⁾ = 4-20 mA with HART® and counter module</p> <p>K = electrical transmitter ES with Fieldbus® Foundation™</p> <p>X = special</p>	<p>OK = without</p> <p>SK = SIL Conformity assessment by EXIDA²¹⁾</p> <p>XK = special (separate specification)</p>

Reference conditions: water 20 °C, air 1,013 bar abs.

¹⁾ Different measuring range for model BGN-P (PTFE-chasing)

²⁾ Other flange connections: Form N, D, JIS or Class 300 on request

³⁾ Only for models BGN-S/H

⁴⁾ Not for model BGN-H (Hastelloy®)

⁵⁾ Only for model BGN-S up to 40 l/h

⁷⁾ Damping not possible

⁸⁾ Not available with heating / cooling

¹⁰⁾ Option display only available in »V«, »H« and »W«

¹¹⁾ For gas measurements a factor of 2-3 of the inlet pressure should be considered

¹²⁾ Only for BGN-S and BGN-H, only with reduced sealing face

¹³⁾ Only for models BGN-S/H from 5 l/h up to 80000 l/h

¹⁴⁾ Not for BGN-S10

¹⁵⁾ Stainless steel display housing is not compatible with counter module

¹⁶⁾ necessary for gas measuring

¹⁷⁾ SIL 1 - IEC 61508-2:2010 conformity examined by EXIDA

¹⁸⁾ SIL 1 - IEC 61508-2:2000 conformity examined by EXIDA

¹⁹⁾ SIL 2 - IEC 61508-2:2000 conformity examined by EXIDA

²⁰⁾ SIL conformity only with "Accessories" option "SK"

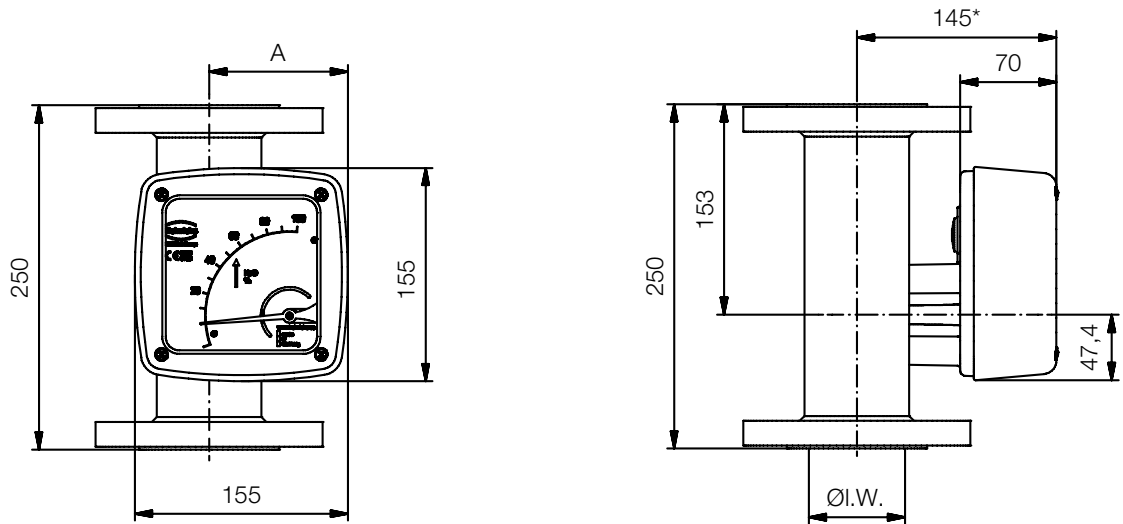
²¹⁾ Only in combination with "electrical output" for options "3", "4", "6", "7", "8"

For the right design of the flow meter we need the following data:

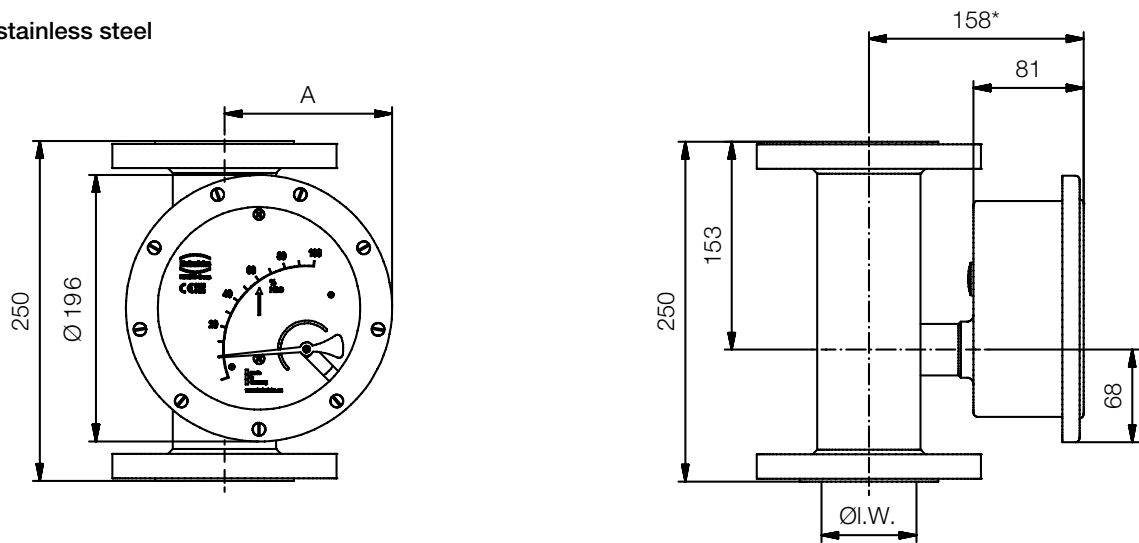
measuring range with unit, measured media, process temperature and pressure, viscosity, operating density (liquids), norm density (gases), mechanical connections

Dimensions [mm]

Display: aluminium



Display: stainless steel



DN	PN	I. W. (inner width)	A (aluminium)	A (st. steel)
15	40	26	74	100
25	40	32	77	103
40	40	46	85	110
50	40	70	98	123
80	40	102	14	140
100	16	125	127	153
125	16	150	142	166
150	16	159	148	171

Dimensional deviations:

* +100 mm with forward advanced display and generally at DN 125 and DN 150